



# SPECIFICATION

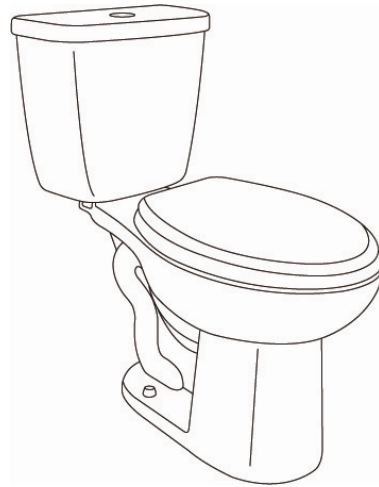
# C21075C WATERCLOSET

## Features:

- Dual Flush 1.1Gpf/1.6Gpf(4Lpf/6.0 Lpf)
- Elongated Bowl
- Dual Flush
- Siphon Jet Action
- Top Tank Push Button
- White
- Standard Height

## Toilet Dimensions:

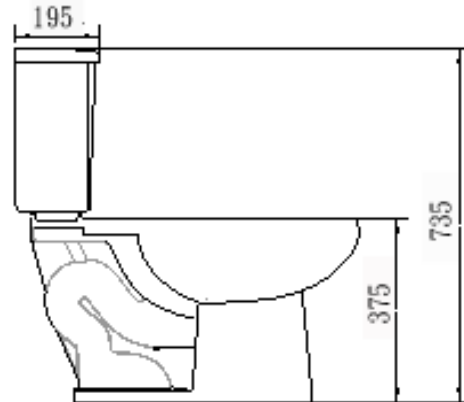
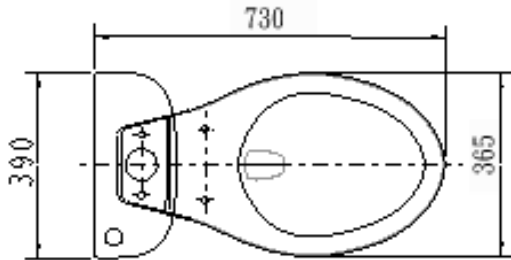
Height.....	735 mm
Width.....	390 mm
Depth .....	730 mm
Rough-in .....	305 mm
Water Surface from Rim.....	145 mm
Trapway (min).....	50 mm
Water Surface.....	275*180mm <sup>2</sup>
Water Seal.....	58 mm
Shipping Weight .....	27 kg



## Specifications:

*Bowl* — C531082

*Tank* — C600137



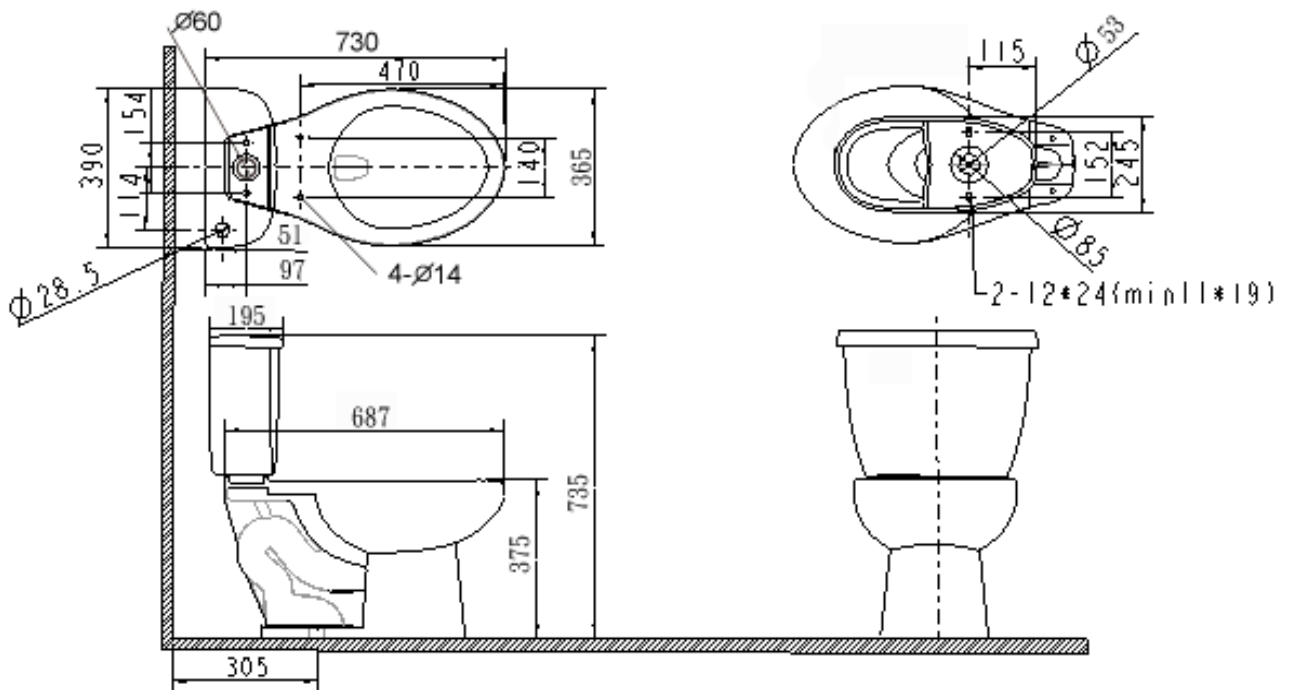
THIS FIXTURE QUALIFIES ACCORDING TO ASME TEST PROCEDURES AS A LOW CONSUMPTION WATER CLOSET WITH AN AVERAGE CONSUMPTION OF 1.6 gpf (6.0 Lpf) OR LESS.





# SPECIFICATION

## C21075C WATERCLOSET



### IMPORTANT:

Dimensions of fixtures are nominal and may vary within the range of tolerances established by ASME Standard A 112.19.2.

THIS FIXTURE QUALIFIES ACCORDING TO ASME TEST PROCEDURES AS A LOW CONSUMPTION WATER CLOSET WITH AN AVERAGE CONSUMPTION OF 1.6 gpf (6.0 Lpf) OR LESS.