

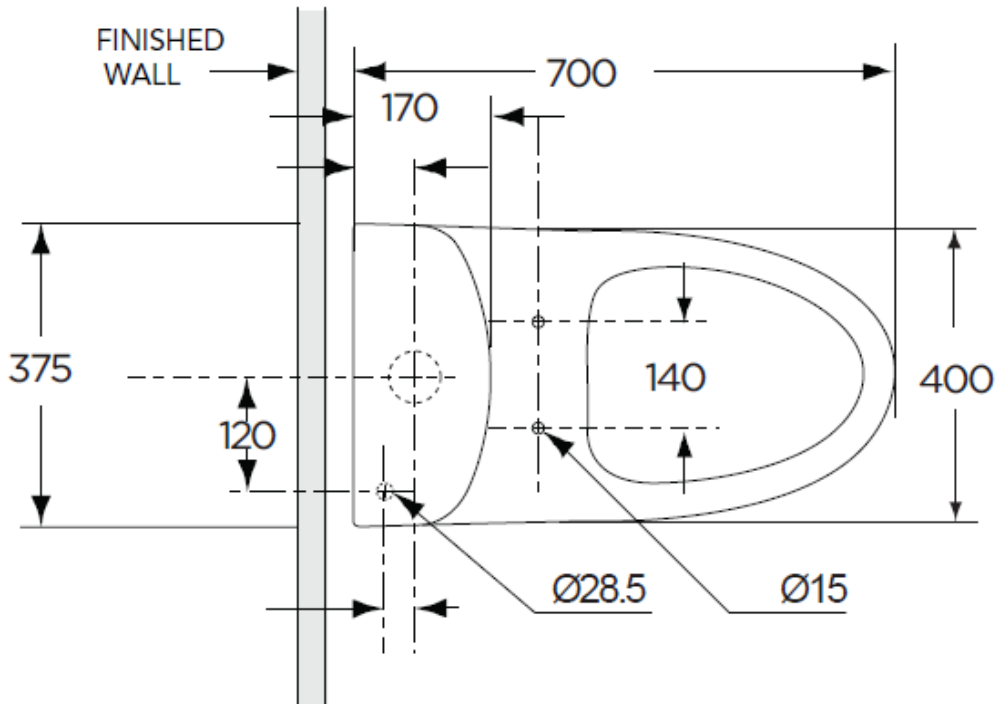
**Features:**

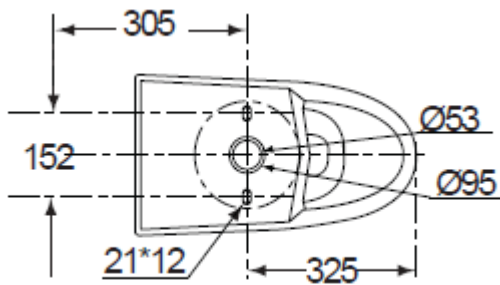
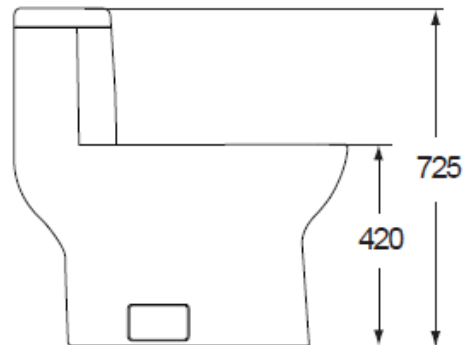
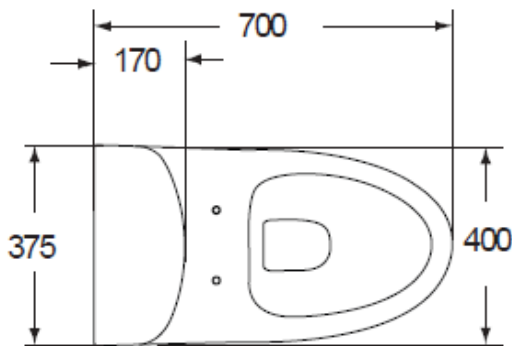
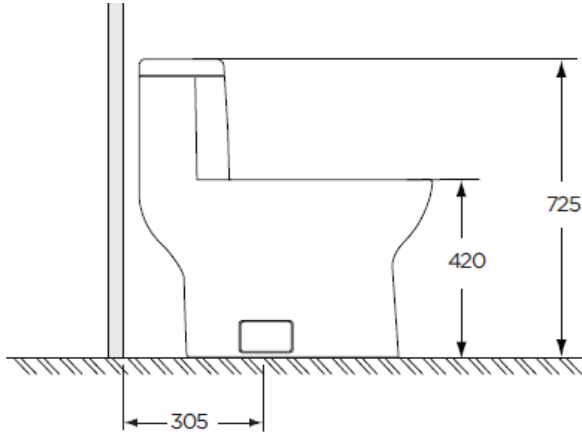
- One Piece Toilet with Concealed trapway
- Elongated bowl, ADA height
- Single flush 1.28 gpf /4.8 Lpf
- HET/WaterSense/UPC/CSA/MaP Certificate
- R&T fill valve, R&T 3" flush valve
- Side chromed hand lever
- Quick-release and Soft-closing seat cover
- Wax ring, floor bolts with caps, braided hose



**Toilet Dimensions:**

Height.....	700mm
Width.....	400mm
Depth .....	725mm
Rough-in .....	12"
Trapway (min).....	2"





THIS FIXTURE QUALIFIES ACCORDING TO ASME TEST PROCEDURES AS A LOW CONSUMPTION WATER CLOSET WITH AN AVERAGE CONSUMPTION OF 1.6 gpf (6.0 Lpf) OR LESS.

**IMPORTANT:**  
Dimensions of fixtures are nominal and may vary within the range of tolerances established by ASME Standard A 112.19.2.  
THIS FIXTURE QUALIFIES ACCORDING TO ASME TEST PROCEDURES AS A LOW CONSUMPTION WATER CLOSET WITH AN AVERAGE CONSUMPTION OF 1.6 gpf (6.0 Lpf) OR LESS.