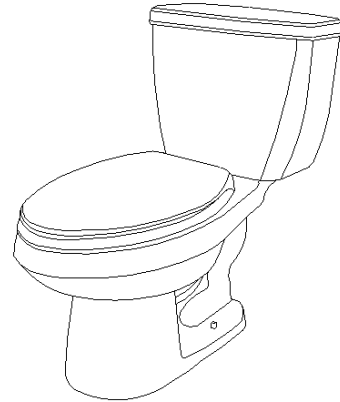


C21572

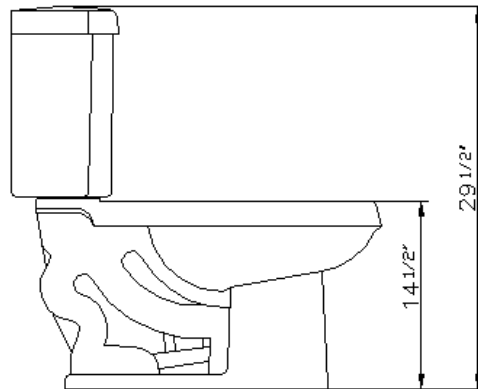
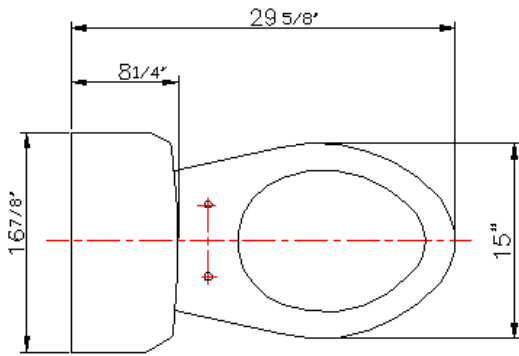
Features:

- Low Consumption 1.6 gpf (6.0 Lpf)
- Elongated Bowl
- Anti-Siphon Ball Cock Fill Valve
- Tamper-Resistant Volume Rated Flapper
- Reverse Trap
- Front Jet Flushing Action
- Front Tank Lever
- All Standard Colors
- 2 Bolt Caps



Toilet Dimensions:

Height.....	29 ¹ / ₂ "
Width.....	16 ³ / ₈ "
Depth	29 ⁵ / ₆ "
Rough-in	12"
Water Surface from Rim.....	5 ⁷ / ₈ "
Trapway (min).....	1 ⁶ / ₈ "
Water Surface.....	10 ⁵ / ₈ "*8 ⁵ / ₈ "
Water Seal.....	2 ¹ / ₄ "
Shipping Weight	83.88lbs



THIS FIXTURE QUALIFIES ACCORDING TO ASME TEST PROCEDURES AS A LOW CONSUMPTION WATER CLOSET WITH AN AVERAGE CONSUMPTION OF 1.6 gpf (6 Lpf) OR LESS.



