

Features:

C21083

Included Components:

- Combination
 - Bowl C239
 - Tank T330

- Vitreous China
- 12" Rough-In
- 3" canister flush valve for faster water flow and flushing power
- Extra-large Dual fed siphon jets for high power bowl clearing
- Double nut, multi-point tank-to-bowl mounting system for tool-free installation
- Chrome-plated top-mount one-button flush actuator
- 100% glazed, 2" trapway for clog-free waste removal
- Slow Close and Quick-release seat included for fast and easy cleaning
- Wax ring, braided hose, floor bolts and bolts caps included
- MaP 1000 g



Technical Information:

Configuration	Two Piece ADA Elongated Toilet
Water per Flush	1.6 gpf(6.0 Lpf)/1.1 gpf(4.1 Lpf)
Rough-In	12"
Height	30 5/8"
Width	15 3/8"
Depth	27 7/8"
Trapway	2"
Large Water Surface	8 11/16" x 6 5/16"
Shipping weight	83.3 lbs

Accessories: (To be purchased separately)

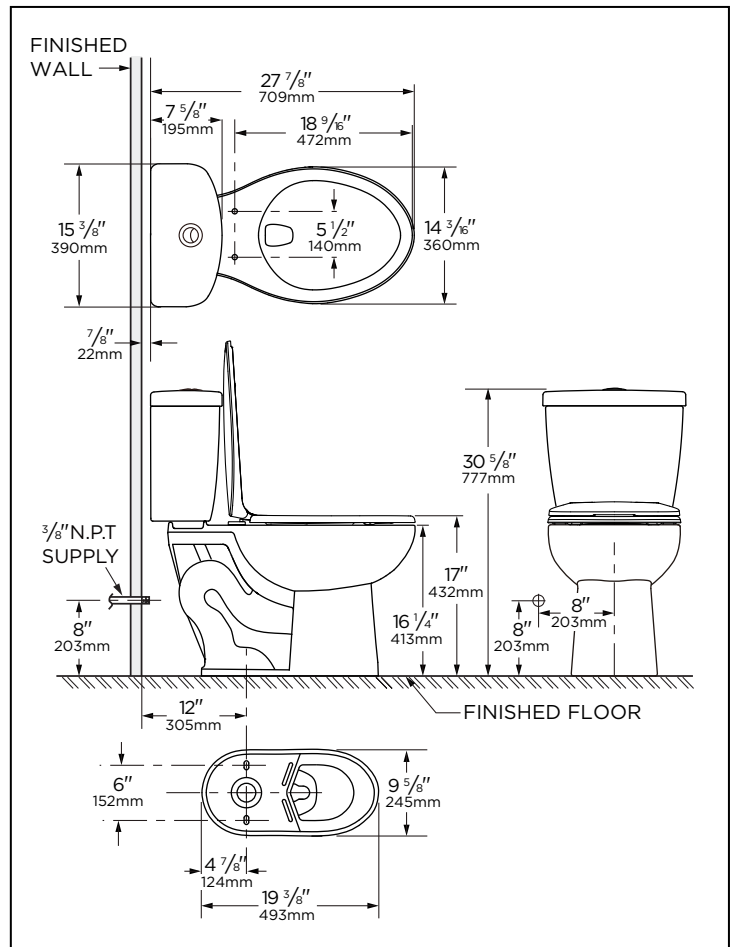
N/A

Available Colors:

- White

Warranty:

- 5 YEARS limited warranty



NOTES: All dimensions are in inches and millimeters. Illustrations may not be drawn to scale.

IMPORTANT:

Dimensions of fixtures are nominal and may vary within the range of tolerances established by ASME standard A 112.19.2 THIS FIXTURE QUALIFIES ACCORDING TO ASME TEST PROCEDURES AS EITHER AS HIGH EFFICIENCY WATER CLOSET WITH AN AVERAGE CONSUMPTION OF 1.1 gpf (4.1 Lpf) OR LESS, OR A LOW CONSUMPTION WATER CLOSET WITH AN AVERAGE CONSUMPTION OF 1.6 gpf (6.0 Lpf) OR LESS. WATER CLOSET CONSUMPTION IS DETERMINED BY THE TANK.