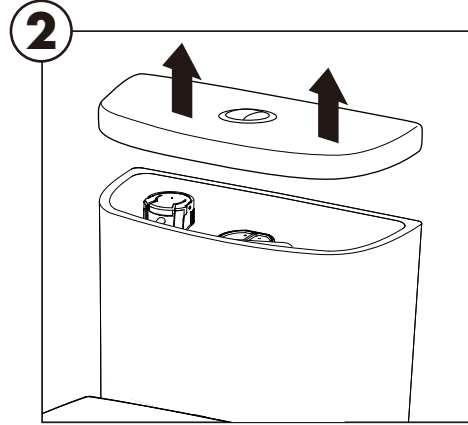
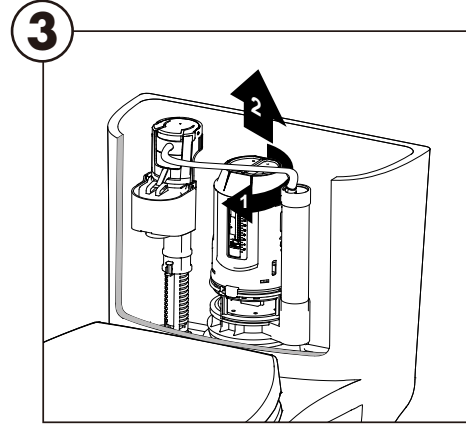


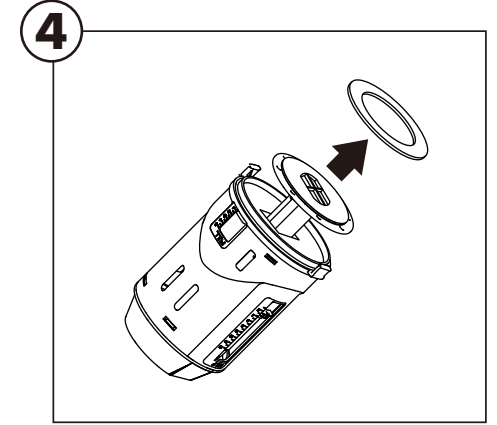
1 Turn off the water supply, flush the toilet to empty the tank.



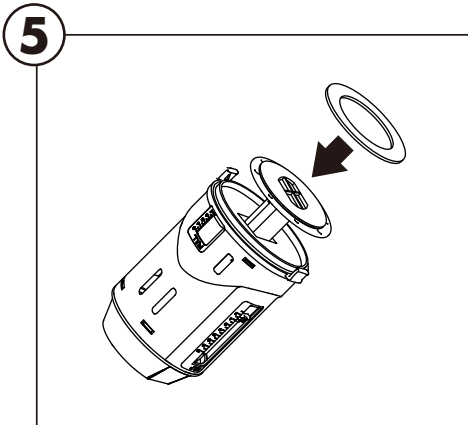
2 Remove the tank lid.



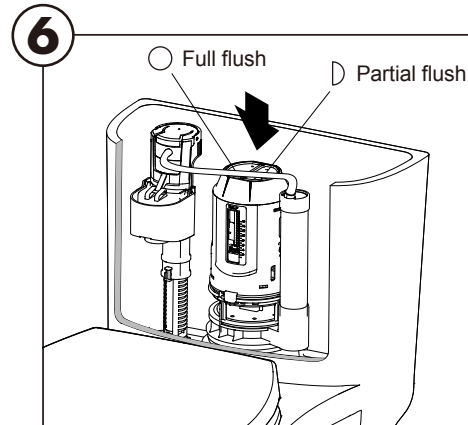
3 Turn the canister clockwise and lift up to remove.



4 Locate the old seal at the bottom of the canister and peel it off.

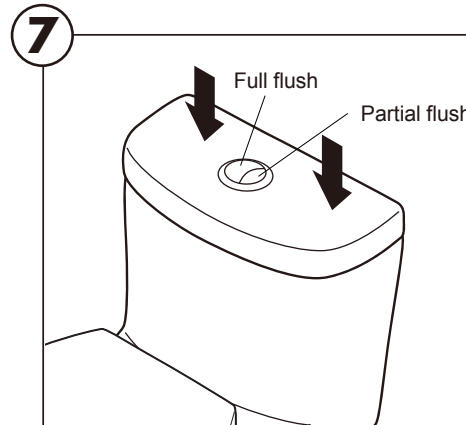


5 Install the replacement seal.

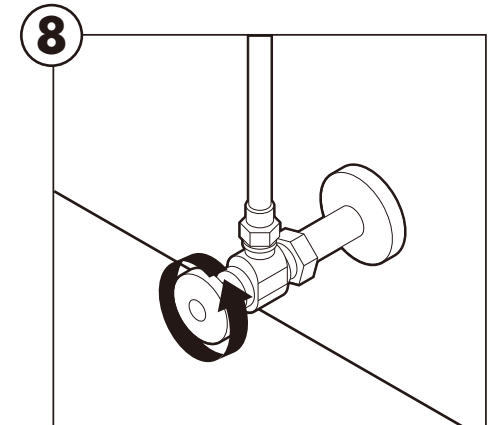


6 Insert the canister into the base and make minor direction adjustment.

Caution: "○" full flush, "D" partial flush
Pls ensure "○" align to full flush button and "D" to partial flush button of tank lid.



7 Put the tank lid back on.



8 Turn on the water supply.