



#### Features:

##### □ 99-215

- Especially designed to fit the 20-601 PeeWee™ toilet
- Round-front open seat without cover
- Hinges stops at 11 degrees beyond vertical, and hidden to prevent pinching
- High-impact, heavy duty solid polypropylene material
- UV protection preserves white color and prevents yellowing
- Included hardware allows quick and easy installation
- 2 molded-in bumpers included to prevent slippage
- Commercial use



#### Standards:

- Complies with IAPMO/ANSI Z124.5 Plastic Toilet Seats as a class Commercial Heavy Duty.

#### Technical Information:

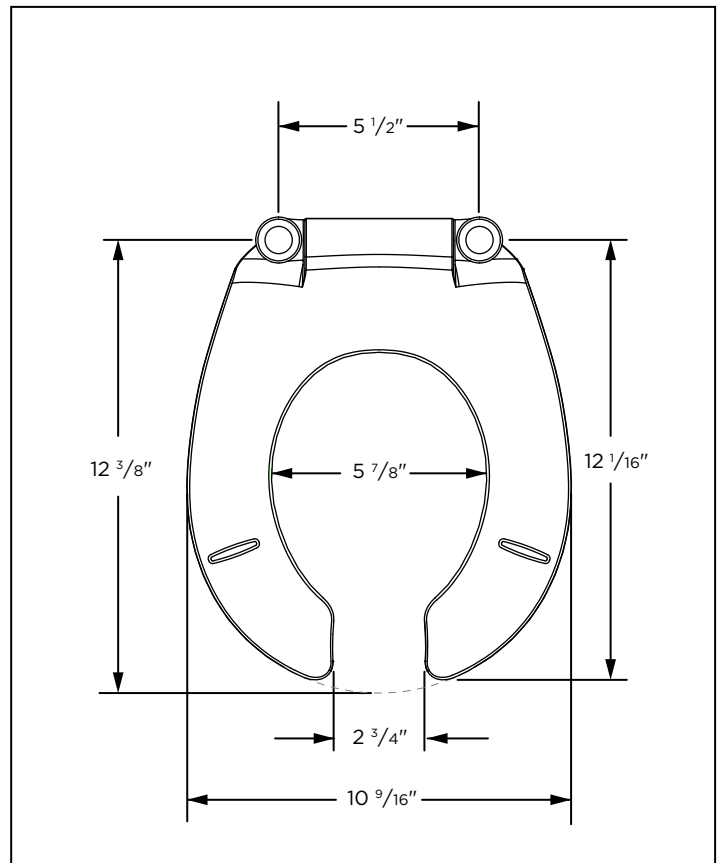
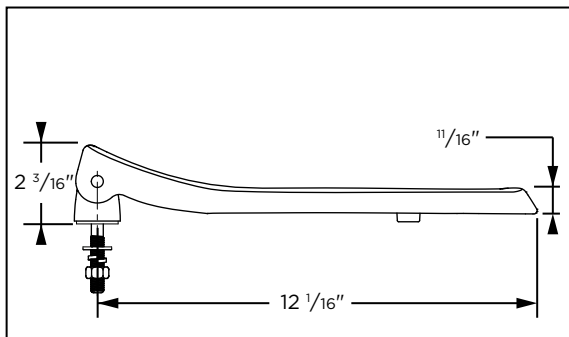
Configuration	Commerical round-front
Type of Seat	Open front without cover
Seat Hinges	Sturdy and hidden by seat
Mounting Holes	5 1/2"
Height	11/16"
Width	10 9/16"
Depth	12 3/8"
Product Weight	1.7 lbs.
Material	Polypropylene with UV protection
Bumpers	2

#### Available Colors:

- White

#### Warranty:

- One Year Manufactures Warranty



**NOTES: All dimensions are in inches. Illustrations may not be drawn to scale.**