

Job Name: _____
Location: _____
Contact #: _____

Specifications

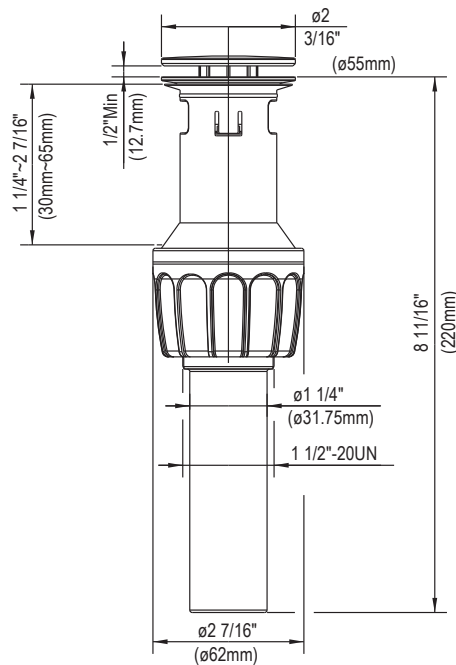
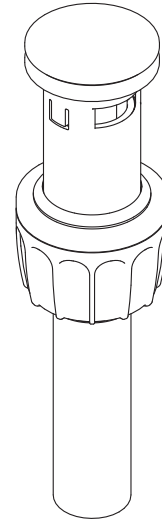
Description

- Push and seal Pop-Up

Standards

- ASME A112.18.1/CSA B125.1
- IAPMO/cUPC

Plastic Push and Seal Drain



Technical Support

888-328-2383

Manufacturer model#A505218